

PRODUCT NUMBER BPS8B96FLD-00-----

WITH "LF" SUFFIX	LEAD FREE OR RoHS COMPATIBLE PRODUCT
WITHOUT SUFFIX	LEADED PRODUCT

**NOTES:-**  
 1. THE "LF" PRODUCTS MEET EUROPEAN UNION DIRECTIVES AND OTHER COUNTRY REGULATIONS AS DESCRIBED IN GS-22-008  
 2. LEAD FREE OR RoHS DIRECTIVE LABELING TO BE PROVIDED AS PER GS-14-920 FOR RoHS COMPATIBLE VERSION.

WIRE ACCOMODATION		
PRODUCT NUMBER	WIRE SIZE	CONTACT IDENTIFICATION
BPS8B96FLD000--	AWG28/30	0
BPS8B96FLD200--	AWG24/26	2

CONTACT PLATING	
PLATING CODE	PERFORMANCE LEVEL PER DIN41612
Z0	CLASS 3
Z1	CLASS 2
E9	CLASS 1
L9	-

**PERFORMANCES CHARACTERISTICS**

VOLTAGE RATING : 250 VAC (rms) OF INITIAL VALUE AFTER TEST.  
 CURRENT RATING : 1,5 A AT 25 °C, 1 A AT 70 °C.  
 INSULATION RESISTANCE : 1000MΩINITIAL, 100MΩMIN. AFTER TEST  
 DIELECTRIC WITH-  
 STANDING VOLTAGE : 1000 VAC (rms).  
 CONTACT RESISTANCE : 15mΩMAX. INITIAL, 5mΩMAX. RISE  
 OPERATING TEMPERATURE\*: -40 °C TO +125 °C.  
 INSERTION FORCE : 1 N MAX./CONTACT.  
 WITHDRAWAL FORCE : 0,2 N MIN./CONTACT.

\*DEPENDING ON THE CABLE, THE MAX. TEMPERATURE CAN BE LOWER.  
 FOR STANDARD PVC INSULATED CABLE : 105 °C MAX.

**CONSTRUCTION**

BODY MATERIAL : GLASS-REINFORCED THERMOPLASTIC (UL94V-0).  
 CONTACT MATERIAL : PHOSPHOR BRONZE.  
 CONTACT FINISH : Au OVER Ni IN CONTACT AREA  
 SnPb ON I.D.C. TERMINAL FOR LEADED PRODUCTS.  
 Sn (MATTE TIN) ON I.D.C. TERMINAL FOR LEAD FREE PRODUCTS.

Z0 : PERFORMANCE LEVEL PER DIN41612 CLASS 3  
 Z1 : PERFORMANCE LEVEL PER DIN41612 CLASS 2  
 E9 : PERFORMANCE LEVEL PER DIN41612 CLASS 1  
 L9 : 1.25 μm Au OVER NI

**PART NUMBERS**

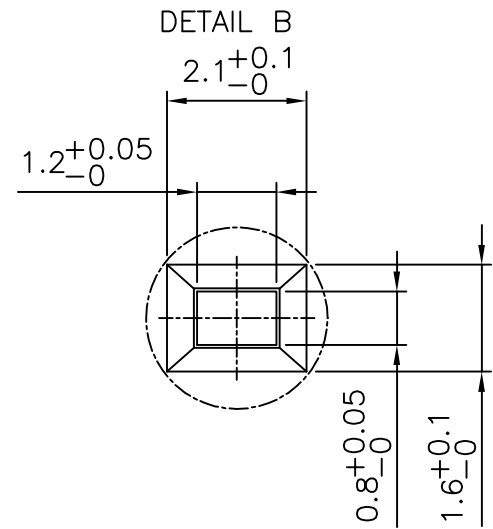
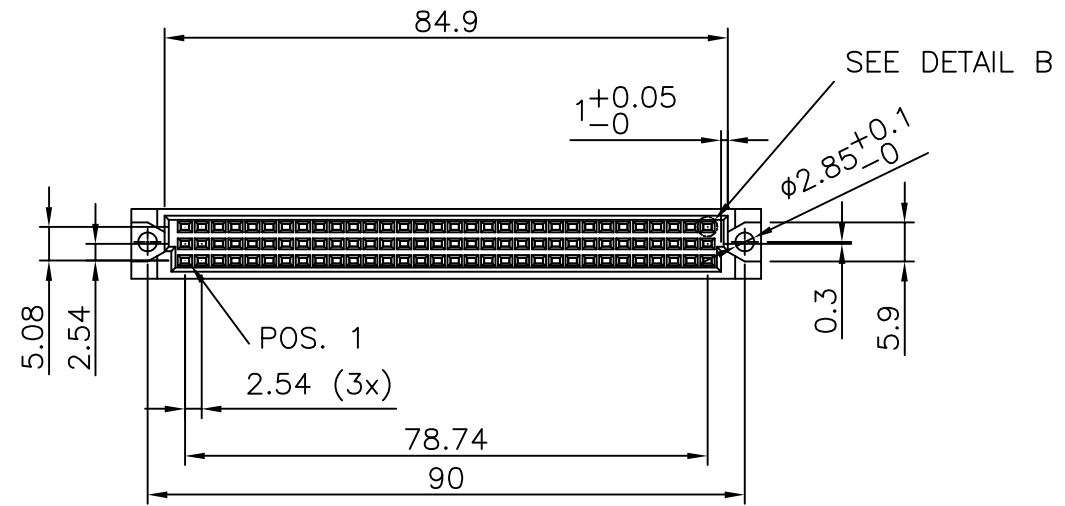
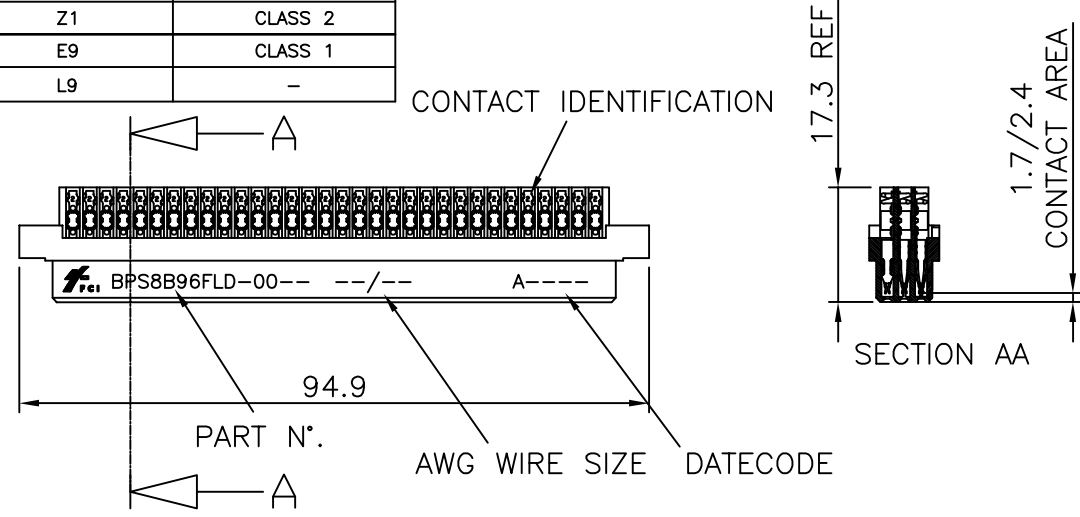
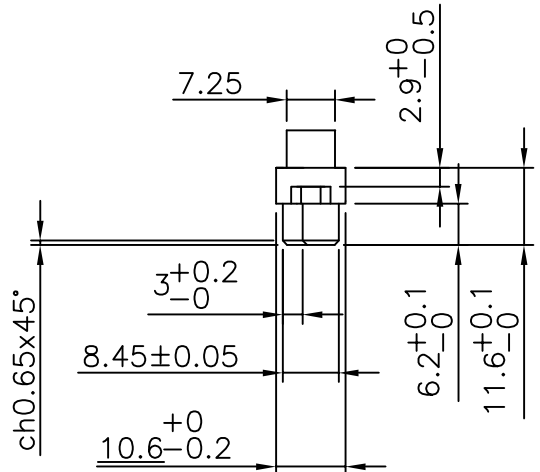
BPS8B96FLD000----- CONNECTOR FOR WIRE SIZE AWG28, AWG30.  
 (CONTACT IDENTIFICATION : 0).  
 BPS8B96FLD200----- CONNECTOR FOR WIRE SIZE AWG24, AWG26  
 (CONTACT IDENTIFICATION : 2).

**AWG WIRE SIZE MARKING**

BPS8B96FLD000-- : 28/30.  
 BPS8B96FLD000--LF : 28/30.  
 BPS8B96FLD200-- : 24/26.  
 BPS8B96FLD200--LF : 24/26.

**DATECODE MARKING**

A + YEAR & WEEKCODE, EXAMPLE : A9950.



mat'l. code		surface		tolerance		projection		product family	
SEE NOTE		ISO 1302		ISO 406 ISO 1101		mm		BPS8	
ltr	ecn no	dr	date	tolerances unless otherwise specified		mm		title	
A	F00819	DLE	2000-10-19	angles	linear	mm		ASSY BPS8	
B	F00835	GCO	2000-11-09			mm		96 POS. A,B,C LOADED	
C	I05-0123	MINI	2005-07-27	±1'		scale -			
D	I06-0067	MINI	2006-06-01	dr	D.LEGRAND	2000-10-19	dwg no		sheet 1 of 4
				enr	J.F.NOTTEAU	2000-10-19	55365		A3
				chr	RAKHEE GEORGE	2006-06-01	type		Product Customer Drawing
				appd	RAKHEE GEORGE	2006-06-01			
sheet index	revision sheet	D	C	C	C				
		1	2	3	4				



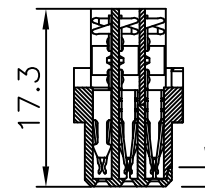
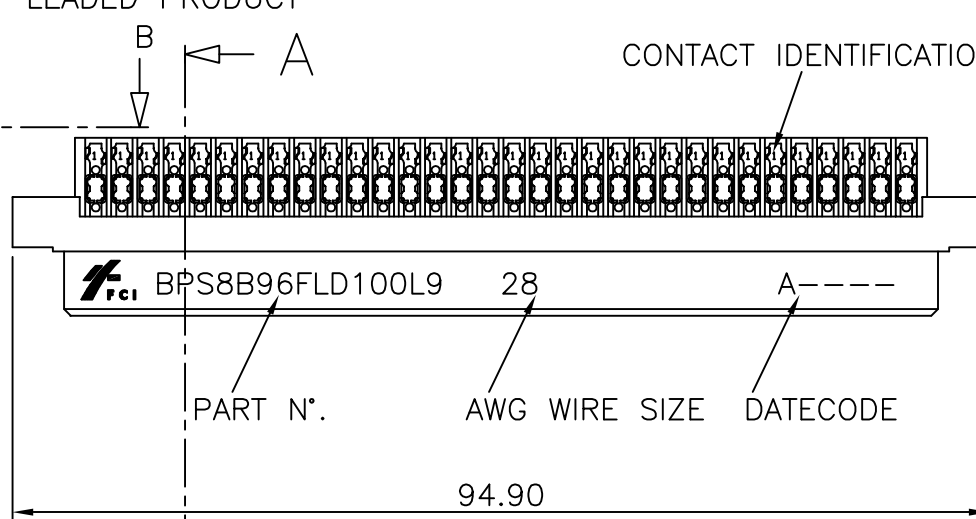
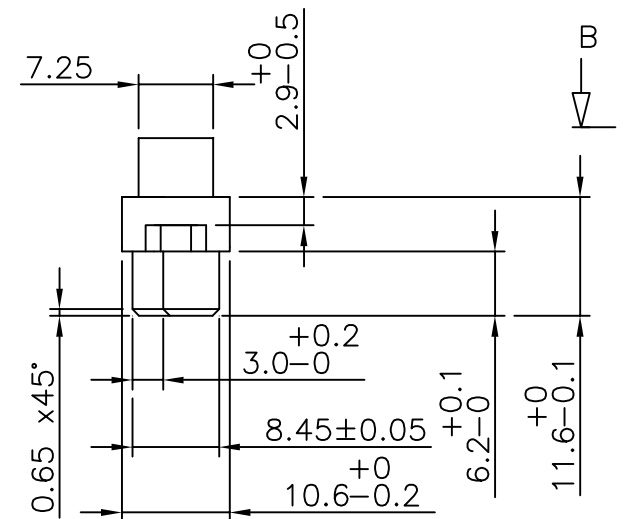
Copyright FCI

PRODUCT NUMBER BPS8B96FLD100L9

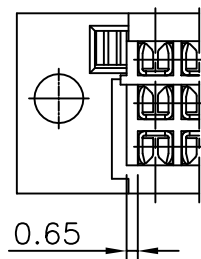
PRODUCT NUMBER BPS8B96FLD100L9LF

LEADED PRODUCT

LEAD FREE OR  
RoHS COMPATIBLE  
SECTION AA

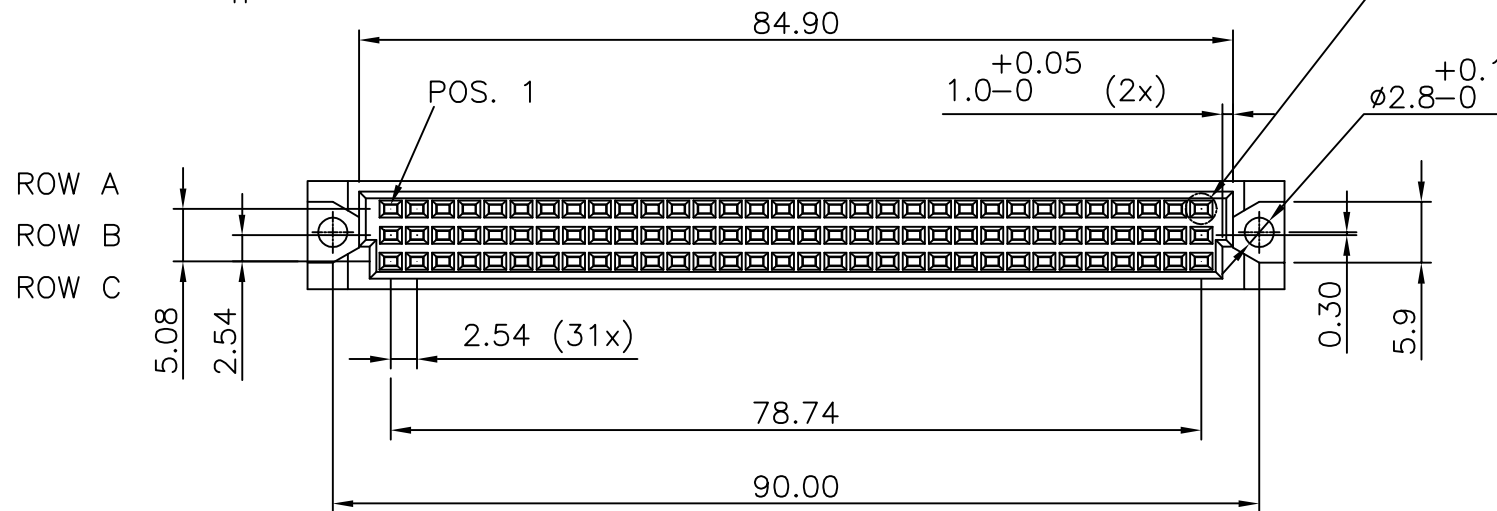


1.7/2.4  
CONTACT AREA

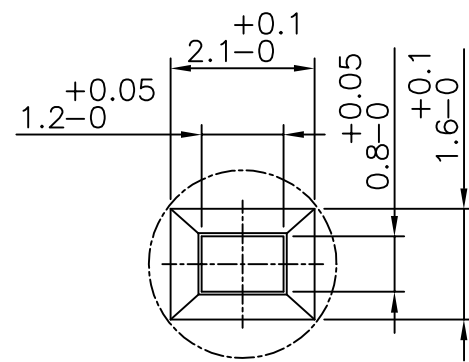


VIEW BB

DETAIL B



DETAIL B



NOTES:-

1. THE "LF" PRODUCTS MEET EUROPEAN UNION DIRECTIVES AND OTHER COUNTRY REGULATIONS AS DESCRIBED IN GS-22-008
2. LEAD FREE OR RoHS DIRECTIVE LABELING TO BE PROVIDED AS PER GS-14-920 FOR RoHS COMPATIBLE VERSION.

PERFORMANCES CHARACTERISTICS

- VOLTAGE RATING : 250 VAC (rms)  
 CURRENT RATING : 1,5 A AT 25 °C, 1 A AT 70 °C.  
 INSULATION RESISTANCE : 1000MΩINITIAL, 100MΩMIN. AFTER TEST  
 DIELECTRIC WITH-  
 STANDING VOLTAGE : 1000 VAC (rms).  
 CONTACT RESISTANCE : 15mΩMAX. INITIAL, 5mΩMAX. RISE OF INITIAL VALUE AFTER TEST.  
 OPERATING TEMPERATURE\*: -40 °C TO +125 °C.  
 INSERTION FORCE : 1 N MAX./CONTACT.  
 WITHDRAWAL FORCE : 0,2 N MIN./CONTACT.

\*DEPENDING ON THE CABLE, THE MAX. TEMPERATURE CAN BE LOWER.  
 FOR STANDARD PVC INSULATED CABLE : 105 °C MAX.

CONSTRUCTION

- BODY MATERIAL : GLASS-REINFORCED THERMOPLASTIC (UL94V-0).  
 CONTACT MATERIAL : PHOSPHOR BRONZE.  
 CONTACT FINISH : 1.25 μm Au MIN. OVER 2 μm Ni MIN. IN CONTACT AREA  
 SnPb ON I.D.C. TERMINAL FOR LEADED PRODUCTS.  
 Sn (MATTE TIN) ON I.D.C. TERMINAL FOR LEAD FREE PRODUCTS.  
 CABLE : 3M FLEXIBLE TWISTED PAIR CABLE (WIRES & CABLE) TYPE 3782 PER UL STYLE/20488 OR TYPE 3783 PER UL STYLE/2935.

PART NUMBERS

BPS8B96FLD100L9--- CONNECTOR FOR WIRE SIZE AWG28 (CONTACT IDENTIFICATION : 1).

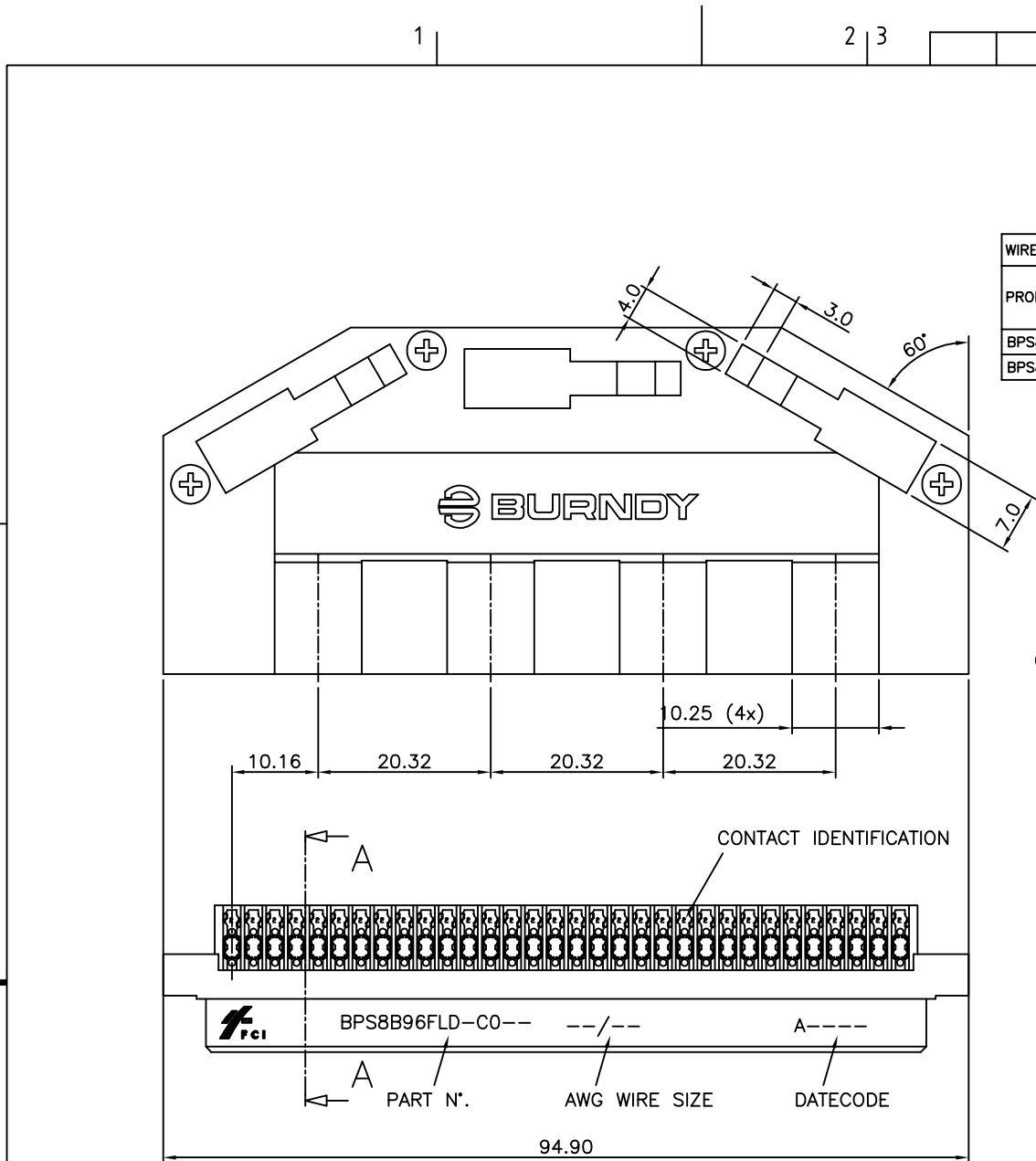
AWG WIRE SIZE MARKING

BPS8B96FLD100L9 : 28.  
 BPS8B96FLD100L9LF : 28.

DATECODE MARKING

A + YEAR & WEEKCODE, EXAMPLE : A9950.

mat'l. code		surface		tolerance		projection		product family	
SEE NOTE		ISO 1302		ISO 406 ISO 1101		mm		BPS8	
litr		ecn no		dr		date		title	
A		F00819		DLE		2000-10-20		ASSY BPS8	
B		105-0123		MINI		2005-07-27		96 POS. A,B,C LOADED	
C		106-0067		MINI		2006-06-01		scale -	
dr		D.LEGRAND		2000-10-20		engr		J.F.NOTTEAU	
chr		RAKHEE GEORGE		2006-06-01		appd		RAKHEE GEORGE	
2006-06-01		sheet index		revision		C		dwg no	
1		sheet		1		55365		sheet 2 of 4	
								size	
								A3	
								type	
								Product Customer Drawing	



PRODUCT NUMBER	BPS8B96FLD-C0-----	WITH "LF" SUFFIX	LEAD FREE OR RoHS COMPATIBLE PRODUCT
		WITHOUT SUFFIX	LEADED PRODUCT

WIRE ACCOMODATION		
PRODUCT NUMBER	WIRE SIZE	CONTACT IDENTIFICATION
BPS8B96FLD0C0--	AWG28/30	0
BPS8B96FLD2C0--	AWG24/26	2

CONTACT PLATING	
PLATING CODE	PERFORMANCE LEVEL PER DIN41612
Z0	CLASS 3
Z1	CLASS 2
E9	CLASS 1

NOTES:-  
 1. THE "LF" PRODUCTS MEET EUROPEAN UNION DIRECTIVES AND OTHER COUNTRY REGULATIONS AS DESCRIBED IN GS-22-008  
 2. LEAD FREE OR RoHS DIRECTIVE LABELING TO BE PROVIDED AS PER GS-14-920 FOR RoHS COMPATIBLE VERSION.

PERFORMANCES CHARACTERISTICS

VOLTAGE RATING : 250 VAC (rms)  
 CURRENT RATING : 1,5 A AT 25 °C, 1 A AT 70 °C.  
 INSULATION RESISTANCE : 1000MΩINITIAL, 100MΩMIN. AFTER TEST  
 DIELECTRIC WITH-STANDING VOLTAGE : 1000 VAC (rms).  
 CONTACT RESISTANCE : 15mΩMAX. INITIAL, 5mΩMAX. RISE OF INITIAL VALUE AFTER TEST.

OPERATING TEMPERATURE\*: -40 °C TO +125 °C.  
 INSERTION FORCE : 1 N MAX./CONTACT.  
 WITHDRAWAL FORCE : 0,2 N MIN./CONTACT.

\*DEPENDING ON THE CABLE, THE MAX. TEMPERATURE CAN BE LOWER.  
 FOR STANDARD PVC INSULATED CABLE : 105 °C MAX.

CONSTRUCTION

BODY MATERIAL : GLASS-REINFORCED THERMOPLASTIC (UL94V-0).  
 COVER MATERIAL : POLYPHENYLENE (PPO), COLOUR : BLACK.  
 CONTACT MATERIAL : PHOSPHOR BRONZE.  
 CONTACT FINISH : Au OVER Ni IN CONTACT AREA  
 SnPb ON I.D.C. TERMINAL FOR LEADED PRODUCTS.  
 Sn (MATTE TIN) ON I.D.C. TERMINAL FOR LEAD FREE PRODUCTS.  
 Z0 : PERFORMANCE LEVEL PER DIN41612 CLASS 3  
 Z1 : PERFORMANCE LEVEL PER DIN41612 CLASS 2  
 E9 : PERFORMANCE LEVEL PER DIN41612 CLASS 1  
 OTHERS : CONSULT FCI

TIE-WRAP : OPTIONAL (PART N°. TF4)

PART NUMBERS

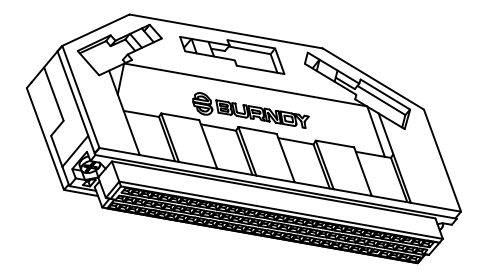
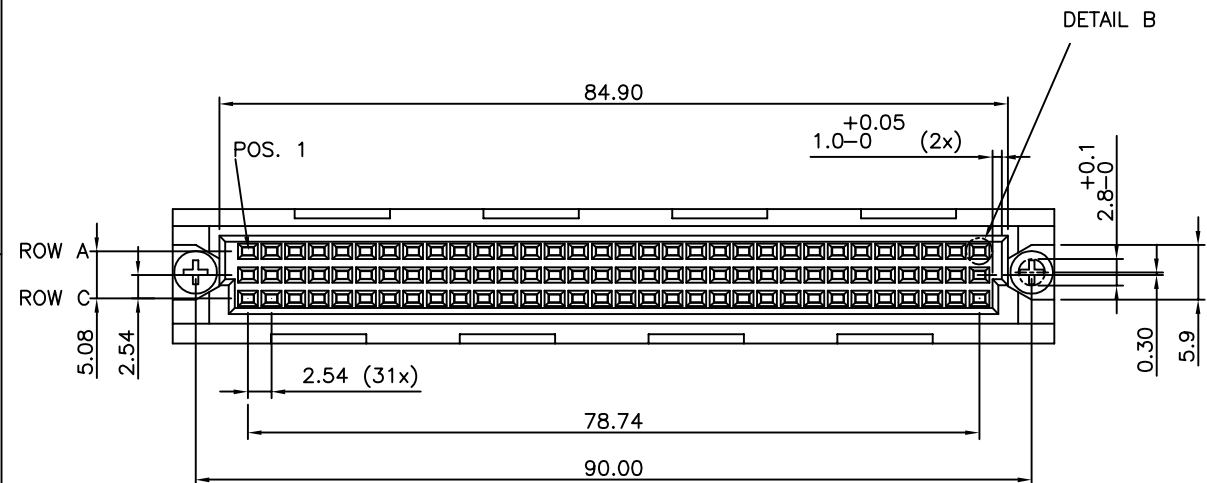
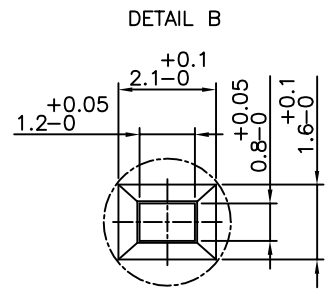
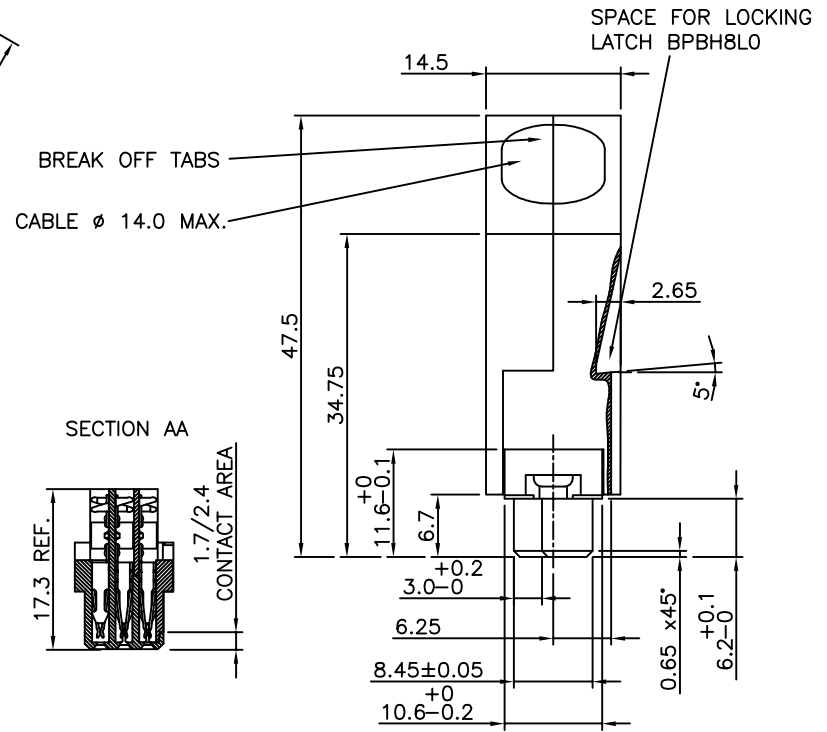
BPS8B96FLD0C0-----CONNECTOR FOR WIRE SIZE AWG28, AWG30.  
 (CONTACT IDENTIFICATION : 0).  
 BPS8B96FLD2C0-----CONNECTOR FOR WIRE SIZE AWG24, AWG26  
 (CONTACT IDENTIFICATION : 2).

AWG WIRE SIZE MARKING

BPS8B96FLD0C0-- : 28/30.  
 BPS8B96FLD0C0--LF : 28/30.  
 BPS8B96FLD2C0-- : 24/26.  
 BPS8B96FLD2C0--LF : 24/26.

DATECODE MARKING

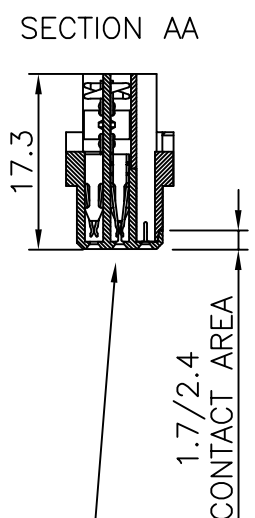
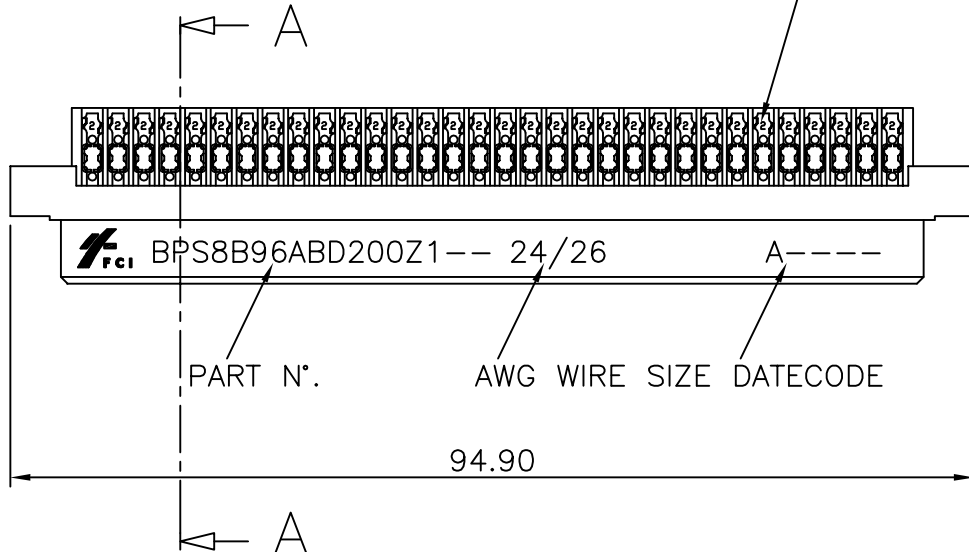
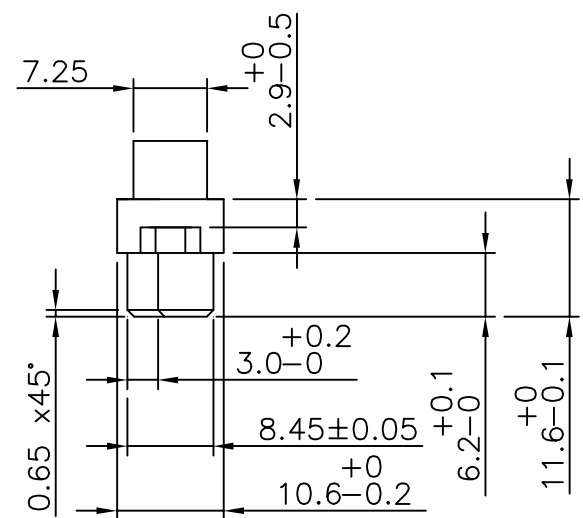
A + YEAR & WEEKCODE, EXAMPLE : A9950.



mat'l. code		surface		tolerance		projection		product family	
SEE NOTES		ISO 1302		ISO 406 ISO 1101		mm		BPS8	
litr		ecn no		dr		date		title	
A		F00819		DLE		2000-10-23		ASSY BPS8	
B		105-0123		MINI		2005-07-27		96 POS. A,B,C LOADED	
C		106-0067		MINI		2006-06-01		dwg no	
								sheet 3 of 4	
								55365	
								size	
								A3	
								type	
								Product Customer Drawing	
sheet index		revision sheet		C		1			

PRODUCT NUMBER BPS8B96ABD200Z1      PRODUCT NUMBER BPS8B96ABD200Z1LF

LEADED PRODUCT      LEAD FREE OR RoHS COMPATIBLE PRODUCT



ROW A & B FULLY LOADED WITH CONTACTS  
ROW C EMPTY

**NOTES:-**  
1. THE "LF" PRODUCTS MEET EUROPEAN UNION DIRECTIVES AND OTHER COUNTRY REGULATIONS AS DESCRIBED IN GS-22-008  
2. LEAD FREE OR RoHS DIRECTIVE LABELING TO BE PROVIDED AS PER GS-14-920 FOR RoHS COMPATIBLE VERSION.

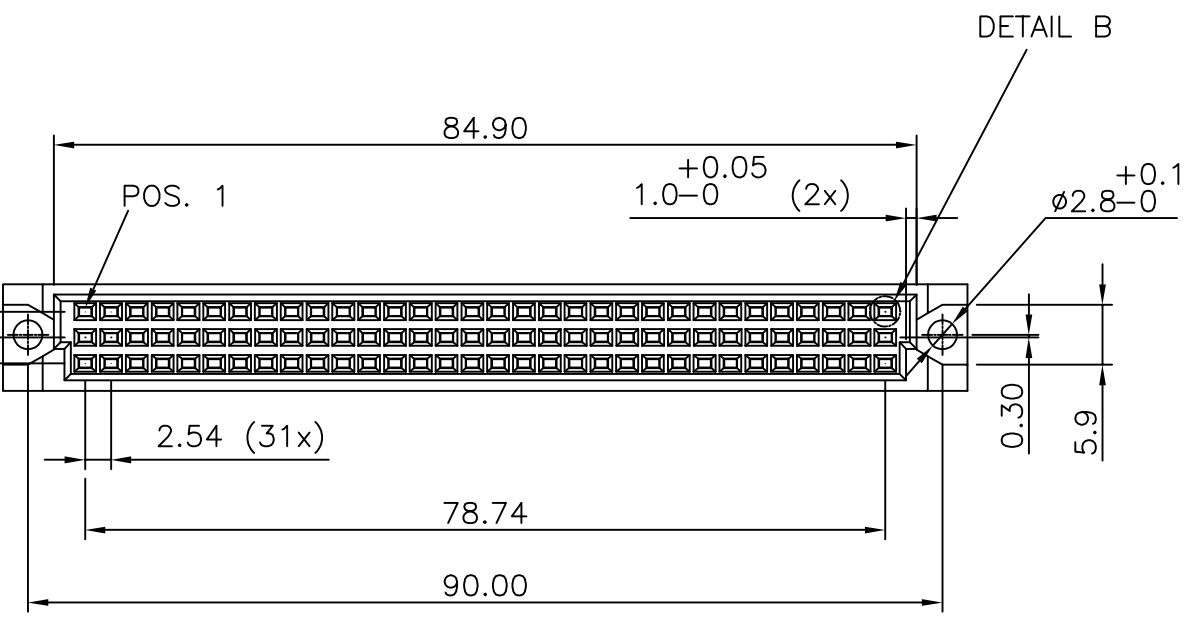
**PERFORMANCES CHARACTERISTICS**  
 VOLTAGE RATING : 250 VAC (rms)  
 CURRENT RATING : 1,5 A AT 25 °C, 1 A AT 70 °C.  
 INSULATION RESISTANCE : 1000MΩINITIAL, 100MΩMIN. AFTER TEST  
 DIELECTRIC WITH-  
 STANDING VOLTAGE : 1000 VAC (rms).  
 CONTACT RESISTANCE : 15mΩMAX. INITIAL, 5mΩMAX. RISE OF INITIAL VALUE AFTER TEST.  
 OPERATING TEMPERATURE\*: -40 °C TO +125 °C.  
 INSERTION FORCE : 1 N MAX./CONTACT.  
 WITHDRAWAL FORCE : 0,2 N MIN./CONTACT.

\*DEPENDING ON THE CABLE, THE MAX. TEMPERATURE CAN BE LOWER.  
FOR STANDARD PVC INSULATED CABLE : 105 °C MAX.

**CONSTRUCTION**  
 BODY MATERIAL : GLASS-REINFORCED THERMOPLASTIC (UL94V-0).  
 CONTACT MATERIAL : PHOSPHOR BRONZE.  
 CONTACT FINISH : Au OVER Ni IN CONTACT AREA  
 SnPb ON I.D.C. TERMINAL FOR LEADED PRODUCTS.  
 Sn (MATTE TIN) ON I.D.C. TERMINAL FOR LEAD FREE PRODUCTS.  
 Z1 : PERFORMANCE LEVEL PER DIN41612 CLASS 2

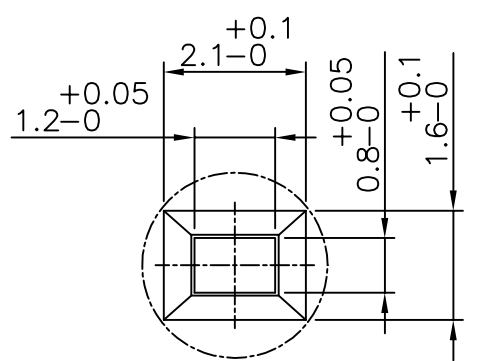
**PART NUMBERS**  
 BPS8B96ABD200Z1--- CONNECTOR FOR WIRE SIZE AWG24, AWG26  
 (CONTACT IDENTIFICATION : 2).

**AWG WIRE SIZE MARKING**  
 BPS8B96ABD200Z1 : 24/26.  
 BPS8B96ABD200Z1LF : 24/26.  
**DATECODE MARKING**  
 A + YEAR & WEEKCODE, EXAMPLE : A9950.



ROW A  
ROW B  
ROW C EMPTY

DETAIL B



mat'l. code		surface		tolerance		projection		product family	
SEE NOTE		ISO 1302		ISO 406 ISO 1101		mm		BPS8	
ltr	ecn no	dr	date	tolerances unless otherwise specified		mm		title	
A	F00819	DLE	2000-10-20	angles	linear	mm		ASSY BPS8	
B	I05-0123	MINI	2005-07-27			mm		96 POS. A,B LOADED	
C	I06-0067	MINI	2006-06-01	±1'		scale -		dwg no	
		dr		D.LEGRAND		2000-10-20		sheet 4 of 4	
		enr		J.F.NOTTEAU		2000-10-20		55365	
		chr		RAKHEE GEORGE		2006-06-01		size	
		appd		RAKHEE GEORGE		2006-06-01		A3	
sheet index		revision sheet		C				type	
		1						Product Customer Drawing	



Copyright FCI